

DEARBORN

ADJUSTO-FLEX

TANDEM DISC HARROWS

SERIES "G" (LIFT TYPE)

MODELS 11-143, 11-144, 11-145
11-146, 11-147 AND 11-148

SCRAPER SETS

MODELS 11-149 AND 11-150

TEMPORARY PARTS LIST



March, 1954

TRACTOR AND IMPLEMENT DIVISION

Ford Motor Company

2500 E. Maple Road, Birmingham, Michigan, U.S.A.

www.ntractorclub.com

DEARBORN ADJUSTO-FLEX TANDEM DISC HARROWS

Series "G" (Lift type) Models 11-143, 144, 145, 146, 147 & 148

MODEL INDEX

<u>MODEL NO.</u>	<u>DESCRIPTION</u>
11-143	Dearborn Adjusto-Flex Tandem Disc Harrow, Series "G" (Lift Type) 6' with 20-16" Discs - 7-1/4" Spacing - Less Scrapers
11-144	Dearborn Adjusto-Flex Tandem Disc Harrow, Series "G" (Lift Type) 6' with 20-18" Discs - 7-1/4" Spacing - Less Scrapers
11-145	Dearborn Adjusto-Flex Tandem Disc Harrow, Series "G" (Lift Type) 6' with 20-18" Discs - 7-1/4" Spacing with Notched Discs on Front Gangs - Less Scrapers
11-146	Dearborn Adjusto-Flex Tandem Disc Harrow, Series "G" (Lift Type) 7' with 24-16" Discs - 7-1/4" Spacing - Less Scrapers
11-147	Dearborn Adjusto-Flex Tandem Disc Harrow, Series "G" (Lift Type) 7' with 24-18" Discs - 7-1/4" Spacing - Less Scrapers
11-148	Dearborn Adjusto-Flex Tandem Disc Harrow, Series "G" (Lift Type) 7' with 24-18" Discs - 7-1/4" Spacing with Notched Discs on Front Gangs - Less Scrapers
11-149	Scraper Set for 6' Harrows (Series "G")
11-150	Scraper Set for 7' Harrows (Series "G")

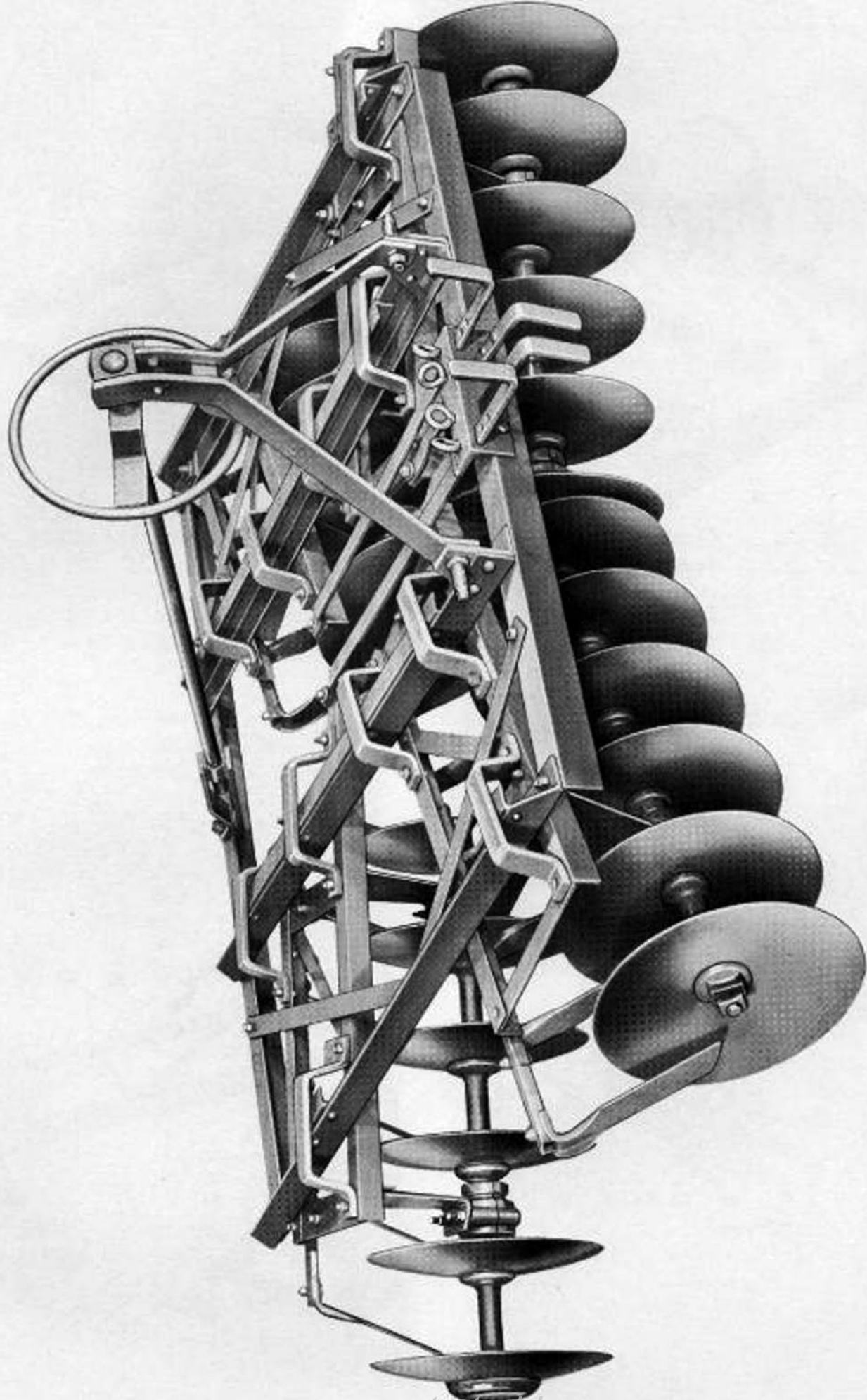


Figure 1 - Dearborn Adjustable Tandem Disc Harrow, Series "Q" (Lift Type)

DEARBORN ADJUSTO-FLEX TANDEM DISC HARROWS
 Series "G" (Lift Type) Models 11-143,144,145,146,147 & 148

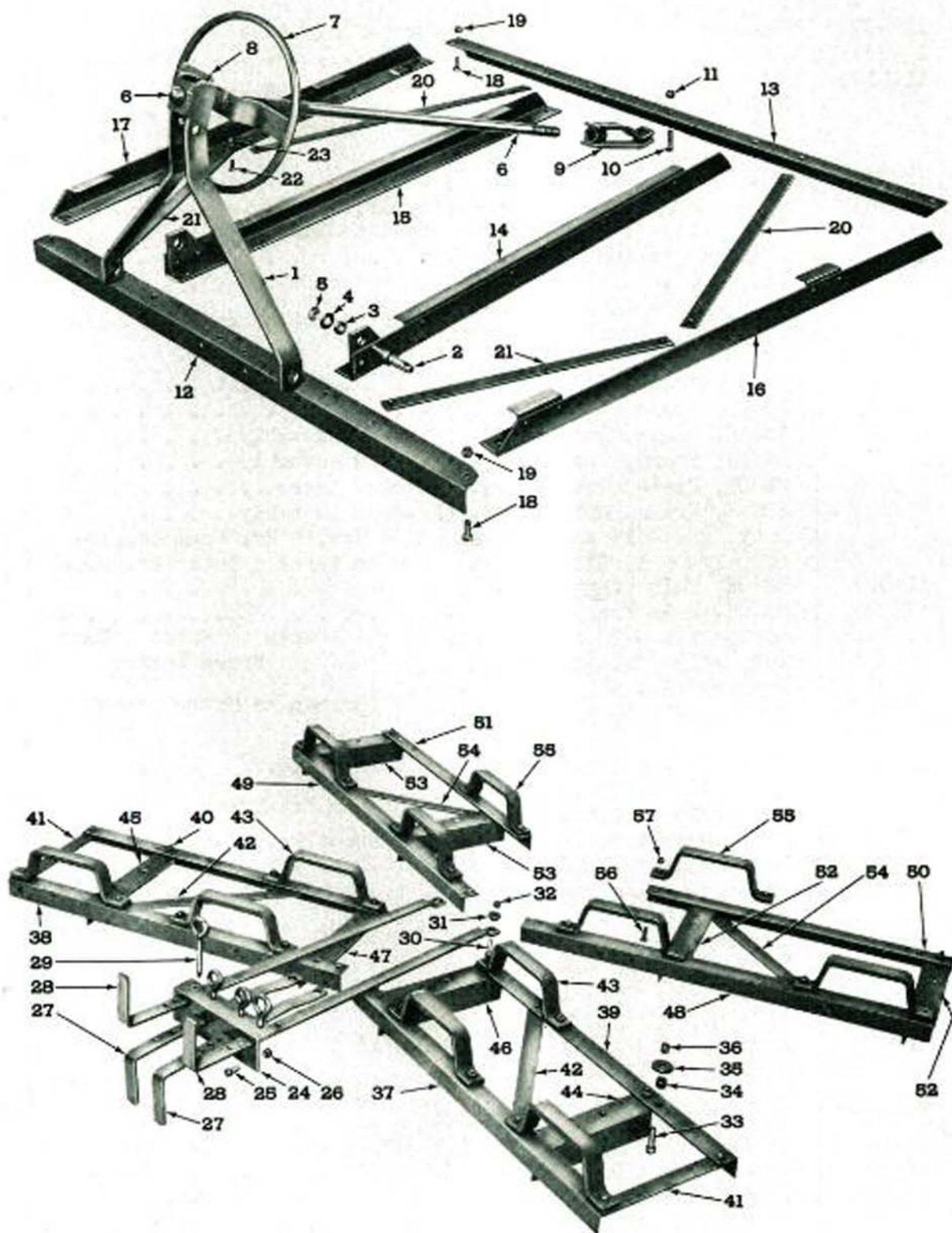


Figure 2 - Frame Assembly

FIG. 2	PART NO.	NAME AND DESCRIPTION	QTY. REQ.	
<u>GROUP 1-1 FRAME ASSEMBLY</u>				
1	112977	BRACKET, Top Link (Welded Assembly)	1	
2	103283	PIN, Link	2	
3	111519	BUSHING, 5/8 ID x 1-1/8 OD x 13/32	} Pins and Bracket to Inner Frame Angles	
4		WASHER, 5/8 Flat		
5		NUT, 5/8 - 18 Elastic Stop		
6	112982	SHAFT, Adjusting Wheel.		1
7	112983	WHEEL, Adjusting (Welded Assembly).		1
8		PIN, 5/16 x 1-1/2 Groov - Wheel to Shaft	1	
9	112987	YOKE, Adjusting Wheel	1	
-		PIN, 1/4 x 1-1/4 Groov - Yoke to Shaft	1	
10		BOLT, 5/8 - 18 x 2-1/8 Hex Hd. } Yoke to Rear Frame Angle	1	
11		NUT, 5/8 - 18 Elastic Stop		
12	113017	ANGLE, Frame, Front	1	
13	112991	ANGLE, Frame, Rear.	1	
14	112994	ANGLE, Frame, Inner, L.H. (Riveted Assembly).	1	
15	112998	ANGLE, Frame, Inner, R.H. (Riveted Assembly).	1	
16	113010	ANGLE, Frame, Outer, L.H. (Riveted Assembly).	1	
17	113015	ANGLE, Frame, Outer, R.H. (Riveted Assembly).	1	
18		BOLT, 1/2 - 13 x 1-1/4 Hex Hd. } Frt. & Rr. Frame Angles	8	
19		NUT, 1/2 - 13 Elastic Stop } to Inner & Outer Fr. Angle		
20	113019	BRACE, Main Frame Rear.	2	
21	113020	BRACE, Main Frame Front	2	
-		BOLT, 7/16 - 20 x 1 Hex Hd. } Braces to Front & Rear	4	
-		NUT, 7/16 - 20 Elastic Stop } Frame Angles		
22		BOLT, 7/16 - 20 x 1-1/4 Hex Hd. } Braces to Outer Frame	2	
23		NUT, 7/16 - 20 Elastic Stop } Angles		
24	113032	LOCK, Gang Adjusting.	1	
25		BOLT, 7/16 - 20 x 1 Hex Hd. } Lock to Frt. Frame Angle. . .	2	
26		NUT, 7/16 - 20 Elastic Stop		
27	113034	BAR, Adjusting, Short (Riveted Assembly).	2	
28	113036	BAR, Adjusting, Long.	2	
29	113033	PIN, Adjusting Bar Lock	4	
30		BOLT, 7/16 - 20 x 1-1/4 Hex Hd. } Bars to Gang Frt. Frame	4	
31	110439	BUSHING		
32		NUT, 7/16 - 20 Elastic Stop } Angles		
33		BOLT, 1/2 - 13 x 1-3/4 Hex Hd. } Gang Pivot	4	
34	113030	BUSHING, 9/16 ID x 7/8 OD x 5/8		
35	113031	WASHER, 17/32 ID x 1-3/4 OD x 3/16		
36		NUT, 1/2 - 13 Elastic Stop		
37	113006	ANGLE, Front Gang Front, L.H.	1	
38	113009	ANGLE, Front Gang Front, R.H.	1	
39	113005	ANGLE, Front Gang Rear, L.H.	1	
40	113008	ANGLE, Front Gang Rear, R.H.	1	

FIG. 2	PART NO.	NAME AND DESCRIPTION	QTY. REQ.
<u>GROUP 1-1 FRAME ASSEMBLY (cont'd)</u>			
41	113003	BRACE, Front Gang (Short)	2
42	113004	BRACE, Front Gang (Long)	2
—	—	RIVET, 3/8 x 3/4 Rd. Hd.)	4
—	—	RIVET, 3/8 x 1-3/8 Rd. Hd.) Braces to Angles	
43	113018 *	RETAINER, Gang, Front	6
—	—	BOLT, 7/16 - 20 x 1-1/4 Hex Hd.) Retainers to Front and	6
—	—	NUT 7/16 - 20 Elastic Stop) Rear Angles	
—	—	BOLT, 7/16 - 20 x 1-1/2 Hex Hd.) Retainer to Hanger Sup-	2
—	—	NUT, 7/16 - 20 Elastic Stop) port and Rear Angle	
44	113027	SUPPORT, Hanger, L.H. (Special)	1
45	113029	SUPPORT, Hanger, R.H. (Special)	1
46	113026	SUPPORT, Hanger, L.H. (.	1
47	113028	SUPPORT, Hanger, R.H.	1
—	—	BOLT, 7/16 - 20 x 1-1/8 Hex Hd.) Hangers to Supports and	6
—	—	NUT, 7/16 - 20 Elastic Stop) Supports to Rear Angle	
—	—	BOLT, 7/16 - 20 x 1-1/4 Hex Hd.) Supports and Hangers	4
—	—	NUT, 7/16 - 20 Elastic Stop) to Front Angle	
48	113021	ANGLE, Rear Gang Front, L.H.	1
49	113023	ANGLE, Rear Gang Front, R.H.	1
50	113022	ANGLE, Rear Gang Rear, L.H.	1
51	113024	ANGLE, Rear Gang Rear, R.H.	1
52	113028	SUPPORT, Hanger, L.H.	2
53	113026	SUPPORT, Hanger, R.H.	2
—	—	BOLT, 7/16 - 20 x 1-1/2 Flaw)	2
—	—	NUT, 7/16 - 20 Elastic Stop) Support to Rear Angle. . .	
—	—	BOLT, 7/16 - 20 x 1-1/8 Hex Hd.) Hangers to Supports and	6
—	—	NUT, 7/16 - 20 Elastic Stop) Outer Support to Rr. Angle	
—	—	BOLT, 7/16 - 20 x 1-3/4 Hex Hd.) Support and Hanger to	4
—	—	NUT, 7/16 - 20 Elastic Stop) Front Rear Angle	
54	113025	BRACE, Rear Gang.	2
55	113018	RETAINER, Gang, Rear	6
56	—	BOLT, 7/16 - 20 x 1-1/4 Hex Hd.)	6
—	—	BOLT, 7/16 - 20 x 1-1/2 Hex Hd.) Retainers to Rear Gang	2
57	—	NUT, 7/16 - 20 Elastic Stop) Angles	8
—	112220	DECAL, Dearborn (2-1/8 x 11 Horizontal)	1
<p>*NOTE: The Outer Front Gang Retainers which are Riveted in place must be serviced with the following parts:</p> <p>1 - 113018 RETAINER 2 BOLT, 7/16 - 20 x 1-1/4 Hex Hd. 2 NUT, 7/16 - 20 Elastic Stop</p> <p>(It will also be necessary to enlarge the holes in the Front Gang Angles)</p>			

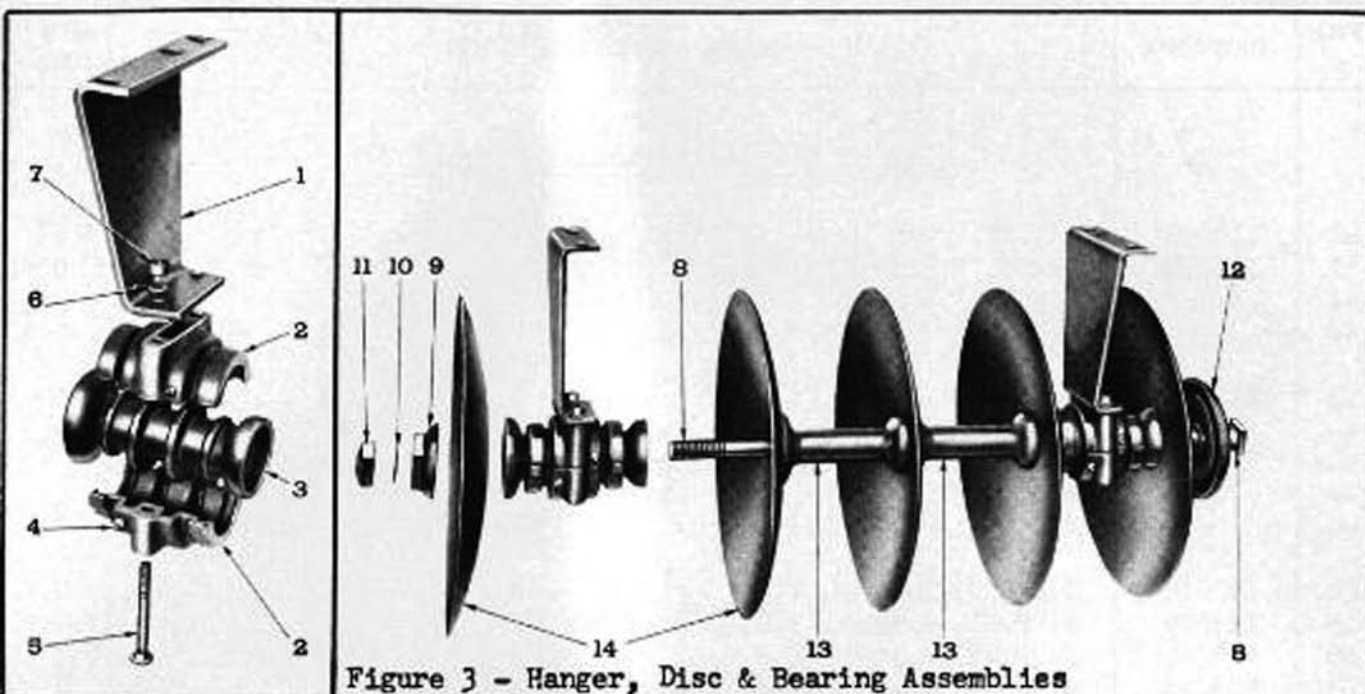


Figure 3 - Hanger, Disc & Bearing Assemblies

FIG.	PART NO.	NAME AND DESCRIPTION	QTY. REQ.
3			
<u>GROUP 2-2 HANGER, DISC & BEARING ASSEMBLIES</u>			
1	111792	HANGER, Bearing, Left Front & Right Rear	4
-	111793	HANGER, Bearing, Right Front & Left Rear	4
2	112707	CAP, Bearing	16
3	111778	SPOOL, Bearing	8
4		FITTING, 1/8 - 27 x 3/4 Str. Lube — Bearing Cap	16
5		BOLT, 7/16 - 20 x 5-1/4 Carr.)	
6		LOCKWASHER, 7/16) Bearing Caps to Hangers .	16
7		NUT, 7/16 - 20 Hex)	
			Model 11-
			143 144 145 146 147 148
8	111770	BOLT, Gang, 6'	4 4 4 - - -
-	111771	BOLT, Gang, 7'	- - - 4 4 4
9	111772	WASHER)	
10	111773	LOCK) Gang Bolt.	4 4 4 4 4 4
11	111774	NUT)	
12	111775	BUMPER	4 4 4 4 4 4
13	111777	SPACER, Disc	8 8 8 12 12 12
14	111781	DISC, 16" Plain.	20 - - 24 - -
-	111782	DISC, 18" Plain.	- 20 10 - 24 12
-	110967	DISC, 18" Notched.	- - 10 - - 12

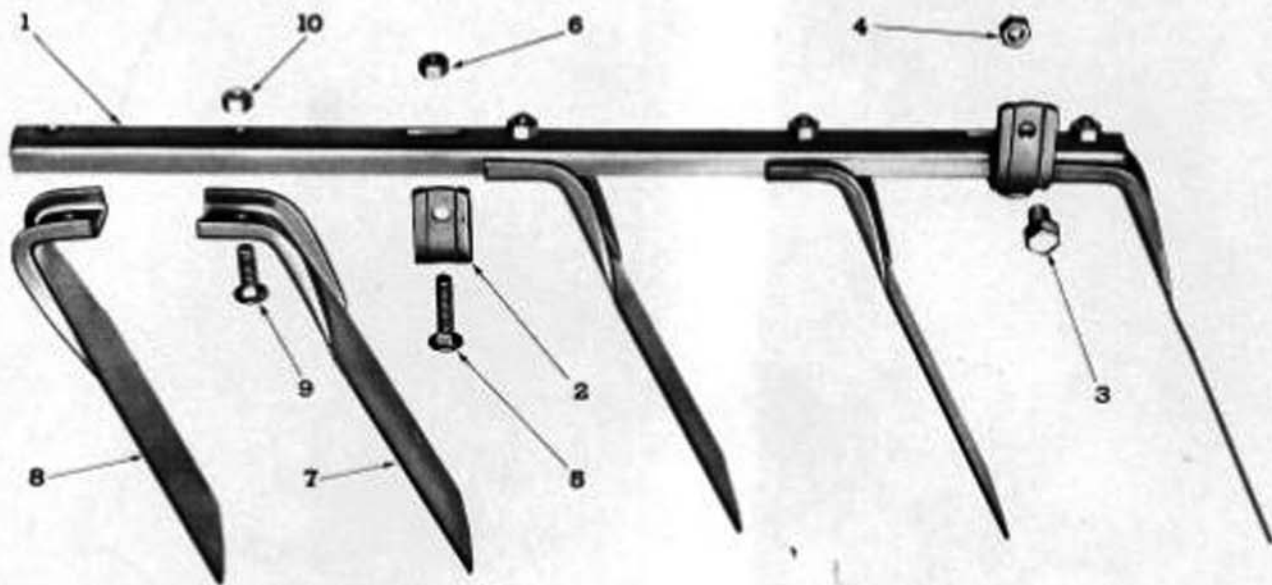


Figure 4 - Scraper Sets

FIG. 4	PART NO.	NAME AND DESCRIPTION	Quantity Required	
			11-149	11-150
<u>GROUP 1-3 SCRAPER SETS</u>				
<u>Model 11-149, 11-150</u>				
1	111456	RAIL, Scraper 6'	4	-
-	111516	RAIL, Scraper 7'	-	4
2	113044	HANGER, Scraper Rail	8	8
3		BOLT, 3/8 - 16 x 1-1/8 Hex Hd.) Hanger to Gang	8	8
4		NUT, 3/8 - 16 Elastic Stop) Frame Angles		
5		BOLT, 7/16 - 20 x 2 Carr.) Hanger to Rail. . .	8	8
6		NUT, 7/16 - 20 Elastic Stop)		
7	110363	BLADE, Scraper, Regular, Right	8	10
-	110364	BLADE, Scraper, Regular, Left	8	10
8	110361	BLADE, Scraper, Special, Right	2	2
-	110362	BLADE, Scraper, Special, Left	2	2
9		BOLT, 7/16 - 20 x 1-1/2 Carr.) Blades to Rails . .	20	24
10		NUT, 7/16 - 20 Elastic Stop)		